

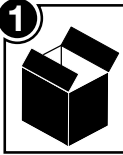
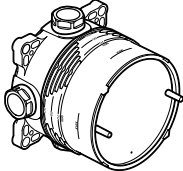

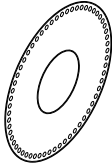



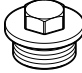



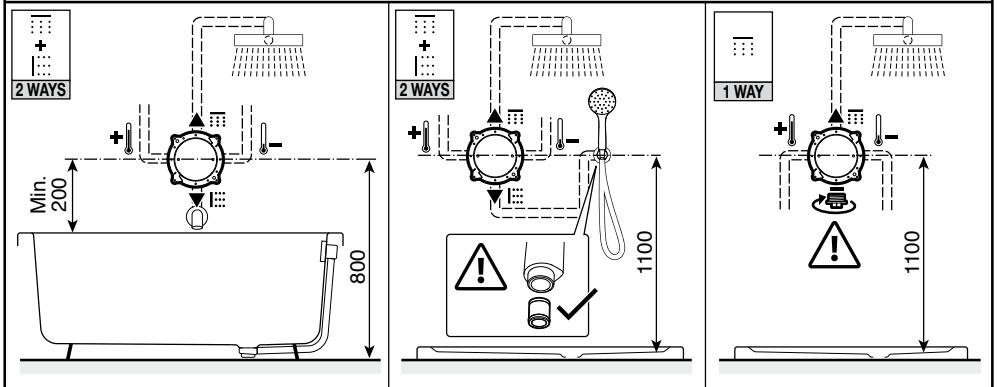
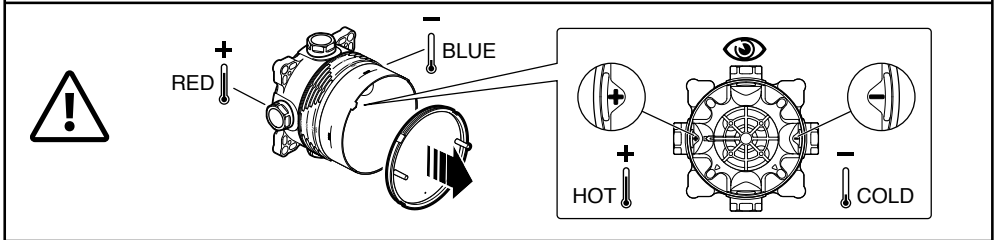
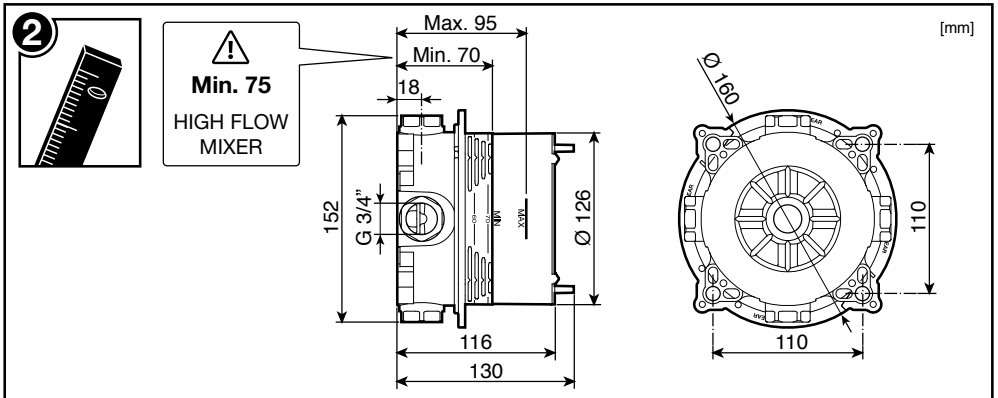
**Roca**

# BOX UNIVERSAL

A525869403



				
				
	x1	x1	x1	x1
	x2	x1	x1	x1

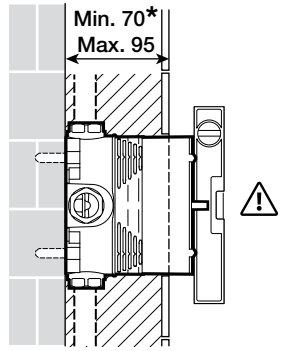
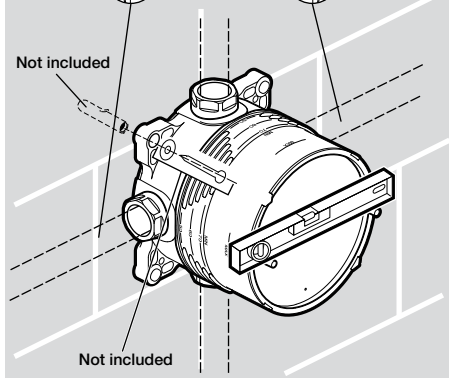




**A**

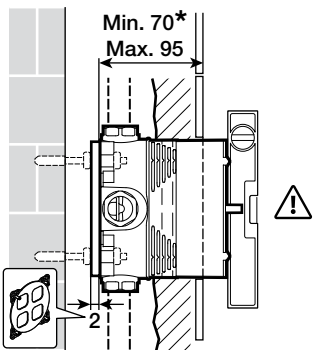
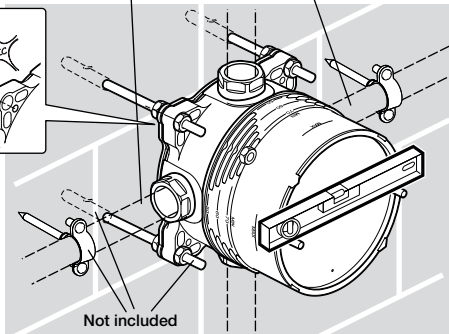
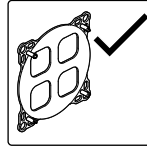


[mm]



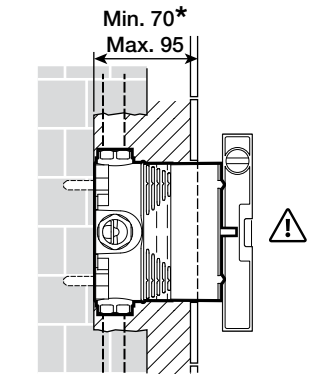
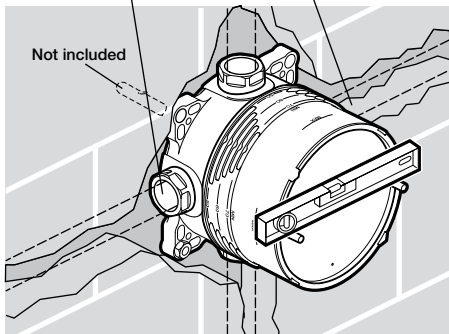
\* Min. 75 only in HIGH FLOW  
A5A9A4A... / A5A9B4A...

**B**

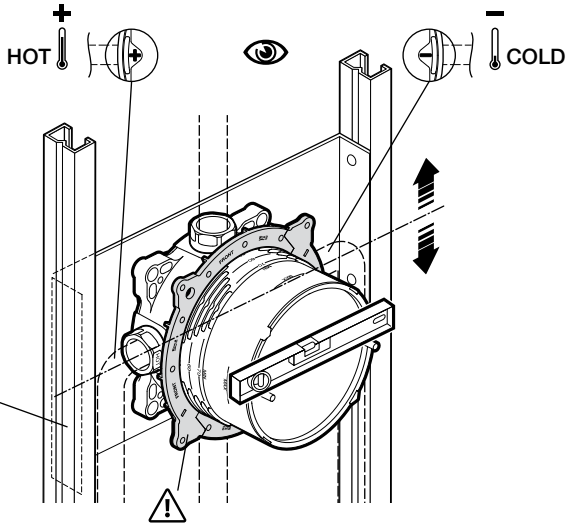


\* Min. 75 only in HIGH FLOW  
A5A9A4A... / A5A9B4A...

**C**

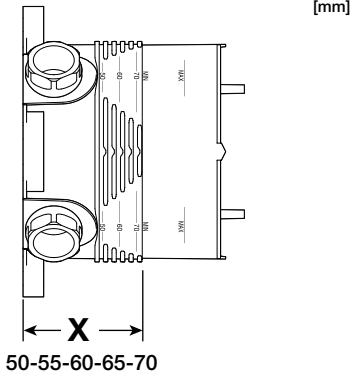


\* Min. 75 only in HIGH FLOW  
A5A9A4A... / A5A9B4A...

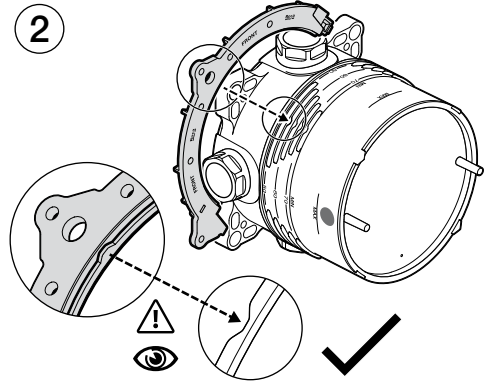


\* Min. 75 only in HIGH FLOW  
A5A9A4A... / A5A9B4A...

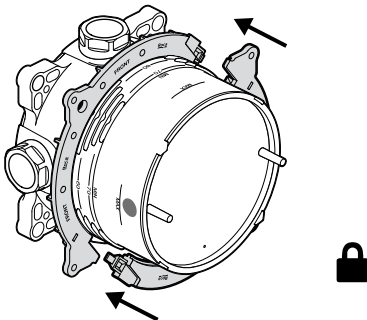
1



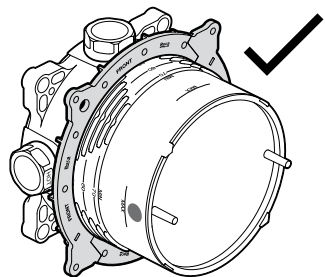
2

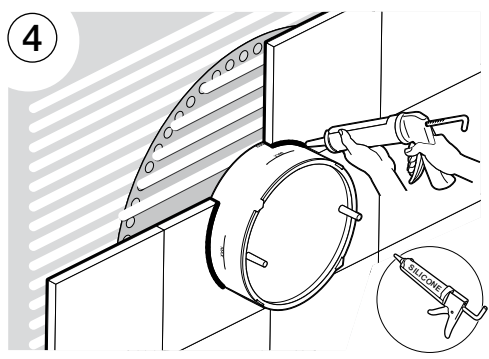
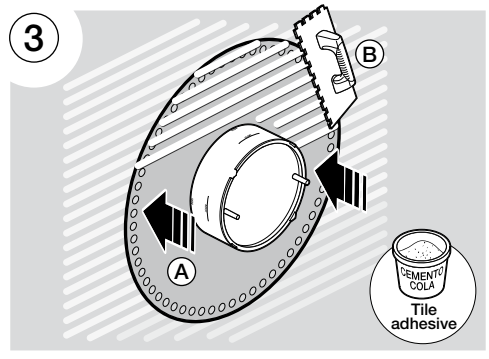
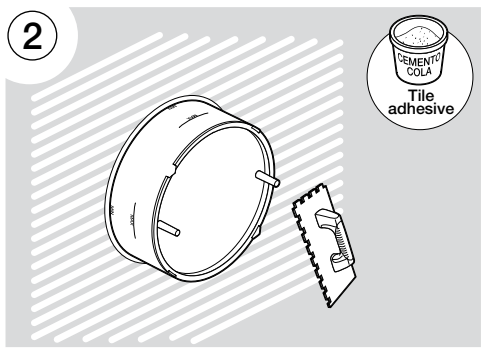
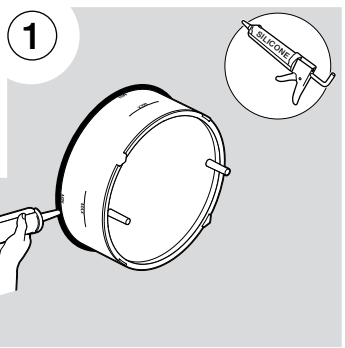
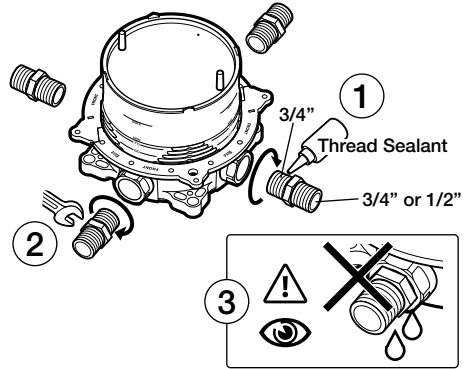
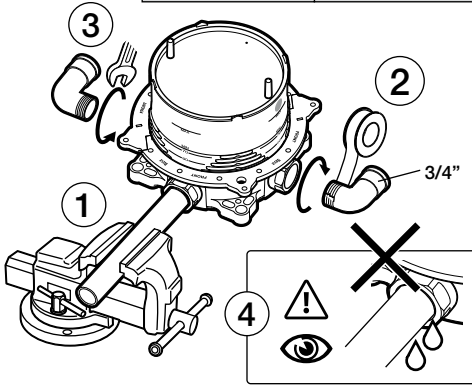
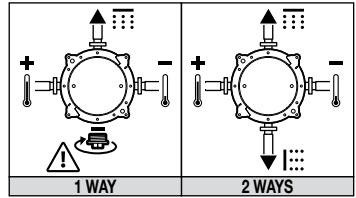
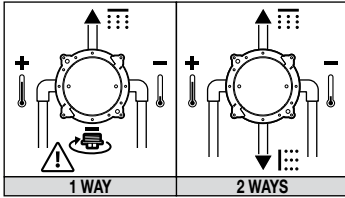


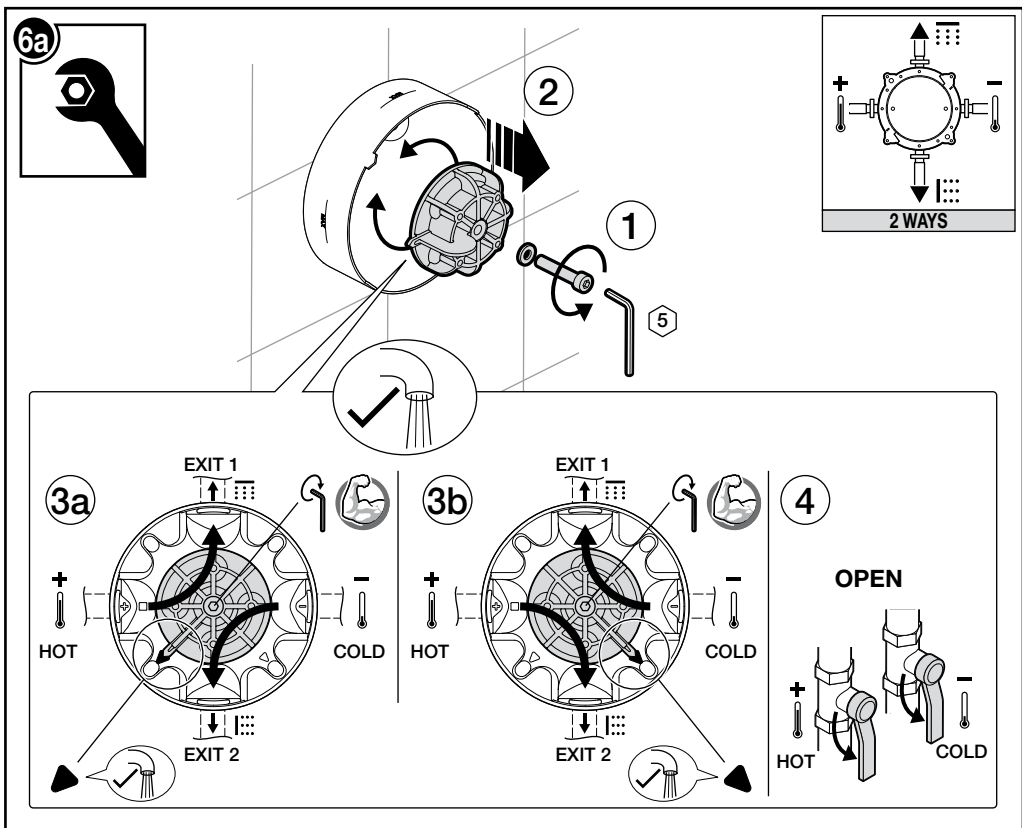
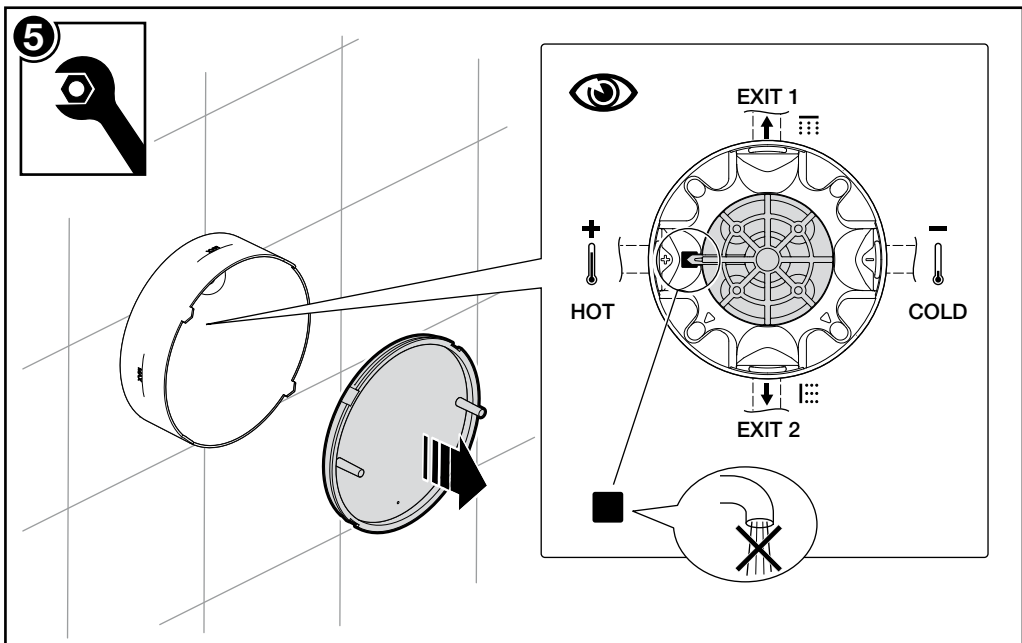
3

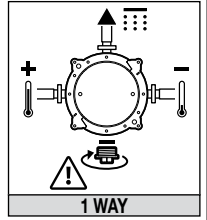
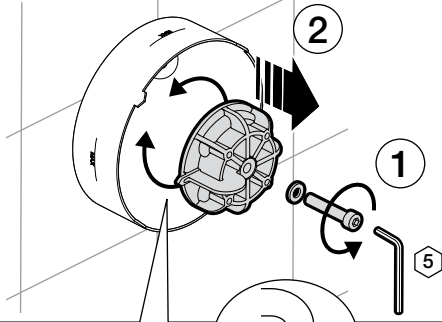


4

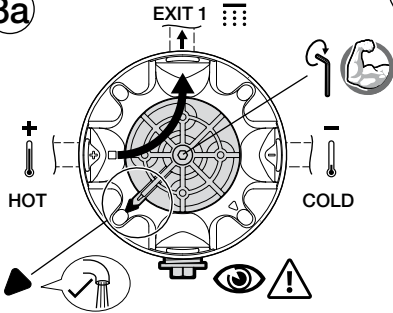




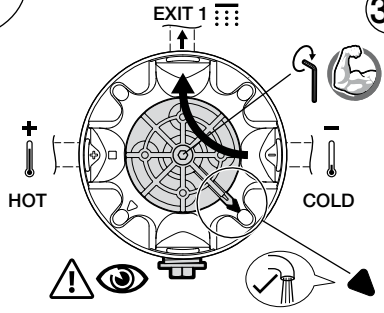




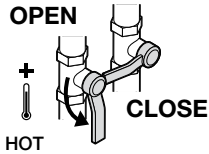
3a



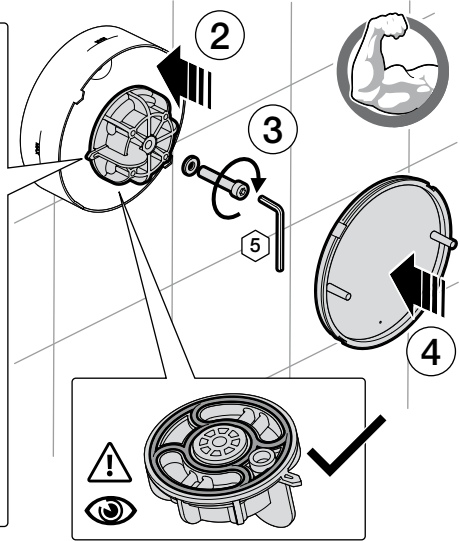
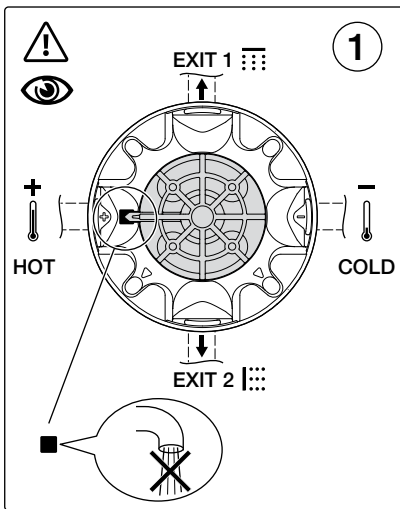
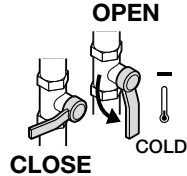
3b



4a

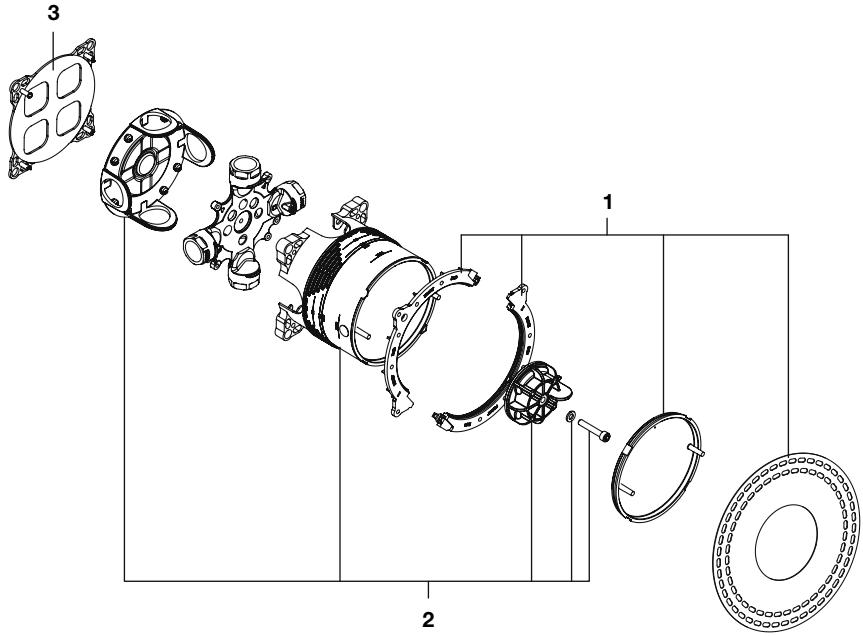


4b





- 1 AG0120000R
- 2 AG0119900R
- 3 AG0198400R



<b>P</b>	P bar	<b>MAX 10</b>	<b>TEST</b> <b>16</b>
<b>P</b>	P bar	<b>MIN 1</b> <b>5 MAX</b>	<b>3</b>
<b>T</b>	°C	<b>-80 MAX.</b>	<b>-65</b> <b>-50</b>

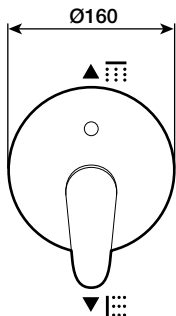
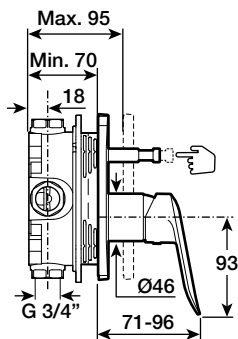


# LOGICA

A5A0B27...



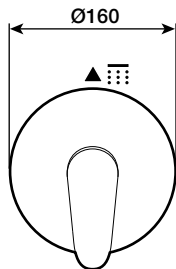
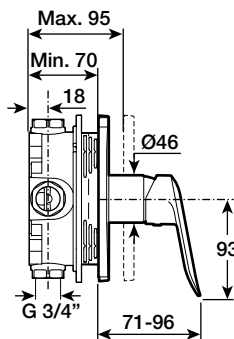
2 WAYS



A5A2B27...



1 WAY

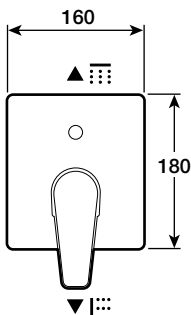
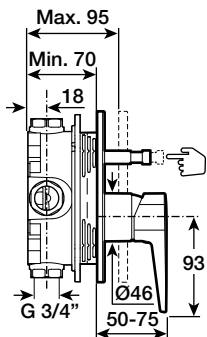


# ESMAI

A5A0B31...



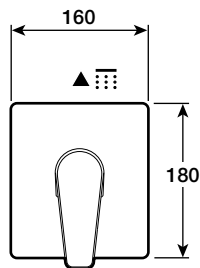
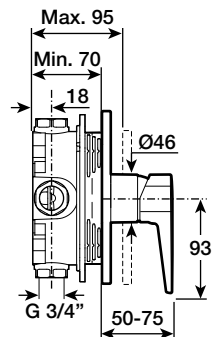
2 WAYS



A5A2B31...



1 WAY

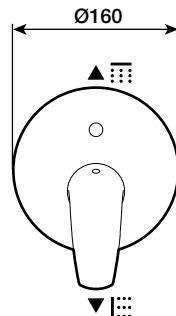
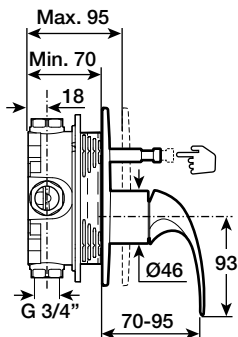


# M2

A5A0B68...



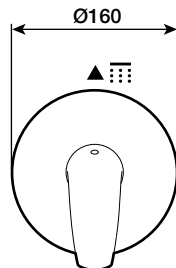
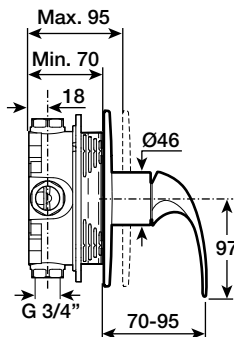
2 WAYS



A5A2B68...

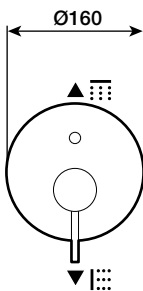
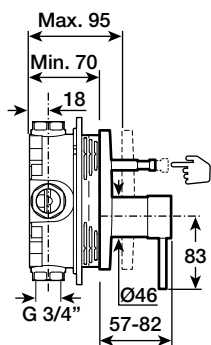


1 WAY

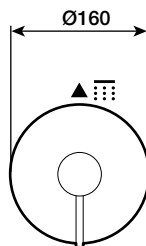
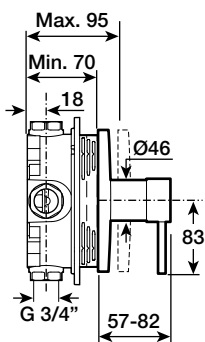


# LANTA

A5A0B11...

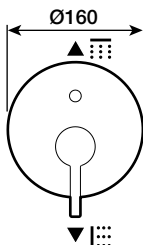
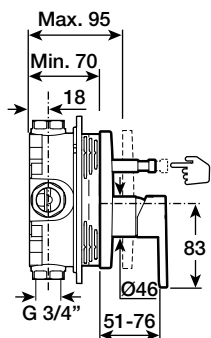


A5A2B11...

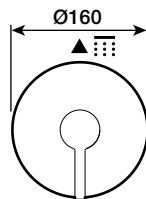
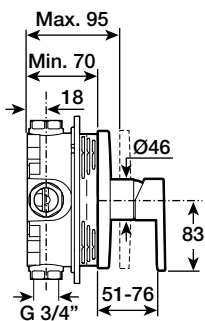


# NAIA

A5A0B96...

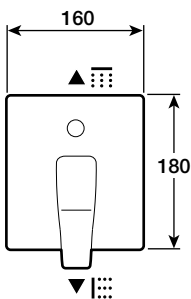
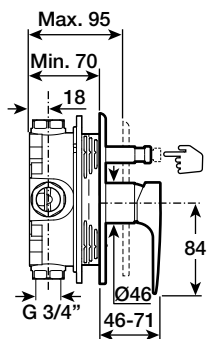


A5A2B96...

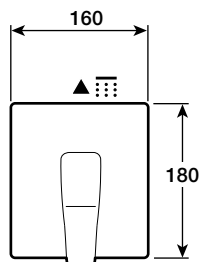
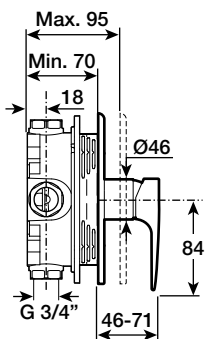


# THESIS

A5A0B50...

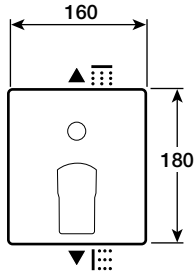
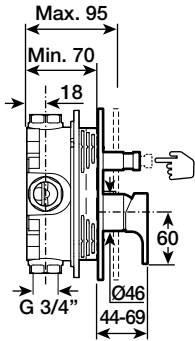


A5A2B50...

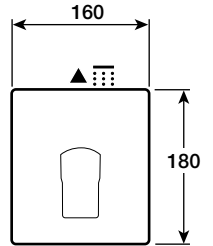
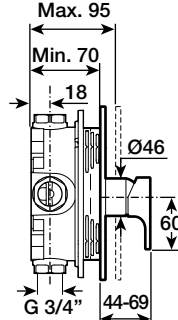


# L90

A5A0B01...

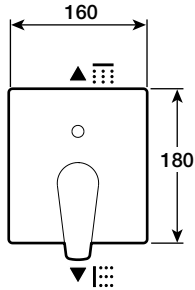
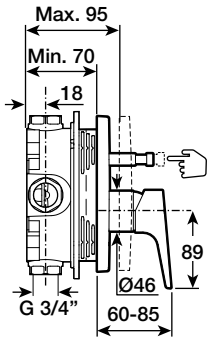


A5A2B01...

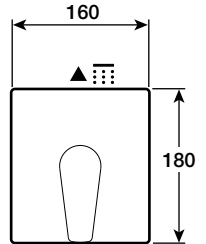
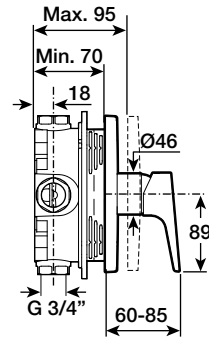


# ATLAS

A5A0B90...

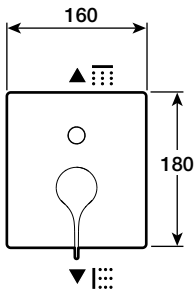
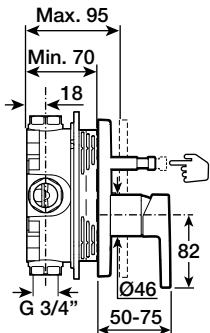


A5A2B90...

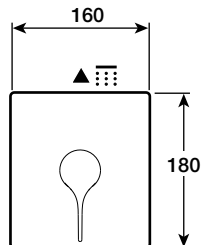
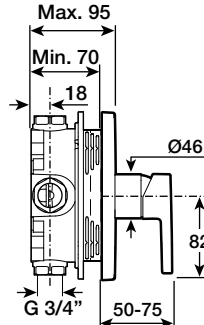


# INSIGNIA

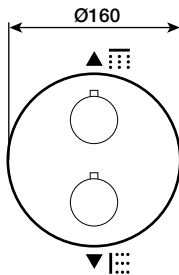
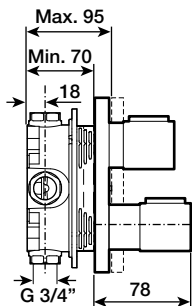
A5A0B3A...



A5A2B3A...



## T1000



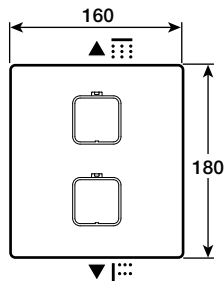
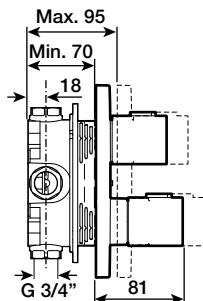
A5A0C09...



A5A2C09...



## T1000 SQUARE



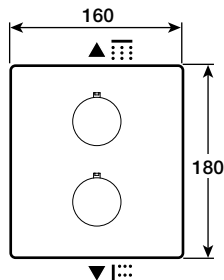
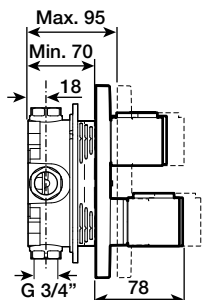
A5A0C1A...



A5A2C1A...



## T2000



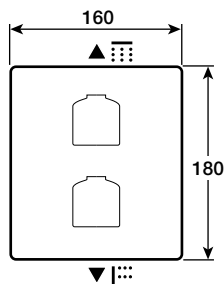
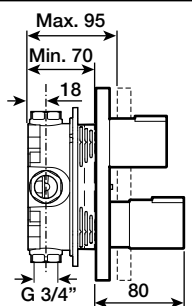
A5A0C88...



A5A2C88...



## L90-T



A5A0C01...



A5A2C01...

